



**MOBILE CARD READER
CHASE READER & BASE GEN. 2**

INSTALLATION GUIDE



Product	Description
CHASE CARD READER GEN. 2	All-in-one mobile card reader

READER CHARGING BASE GEN.2

Countertop charging cradle

WARNING

This symbol is intended to alert the user before starting using the Reader.



Before using the Device

- Please charge the device for 12 hours before initial use.
- Please ensure the unit was not stored for over three months without charging.
- Battery life will depend on different use-cases and the battery manufacturer recommends replacing it with a new one every 2 years.

Caution: Do NOT attempt to open and disassemble the device to cause device tamper and void the warranty.

■ CHASE READER Power spec:

Input: 5V DC, 1A

■ READER CHARGING BASE Power spec:

Input: 5V DC, 1A



Caution: Use only the AC adapter approved and provided by XAC Automation Corporation for use with this device. Use of any other AC adapter may cause a risk of fire or explosion.

■ Device Operating Temperature:

0°C to 40°C

1. PACKAGE CONTENT

■ CHASE CARD READER BOX

- Card reader
- ACCESSORY: USB-C to A cable (1.2 meter)

■ READER CHARGING BASE

- Card reader base
- ACCESSORY: 5V/1A power adaptor
- Base holder plate

2. DEVICE OVERVIEW

2.1 CHASE READER_TOP & SIDE VIEW

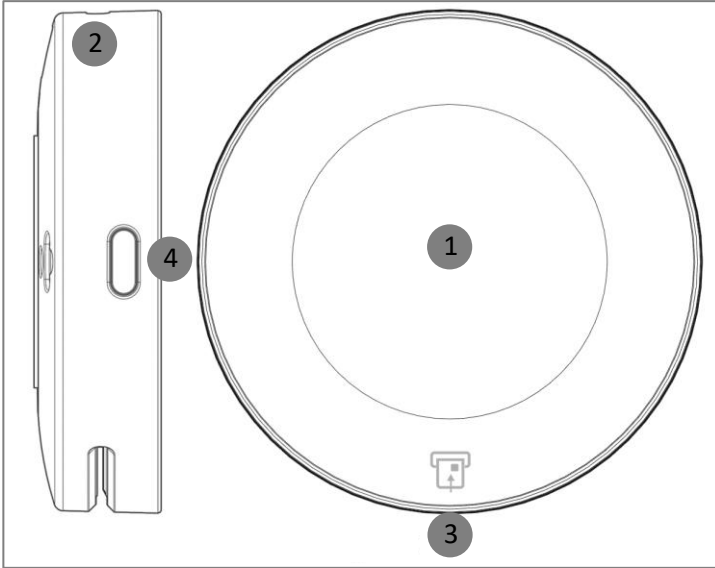


Fig. 1 Reader

No.	Description
1	Touch Display & NFC area
2	USB Type C
3	Smart Card Reader
4	Power Button

2.2 CHASE READER_BOTTOM VIEW

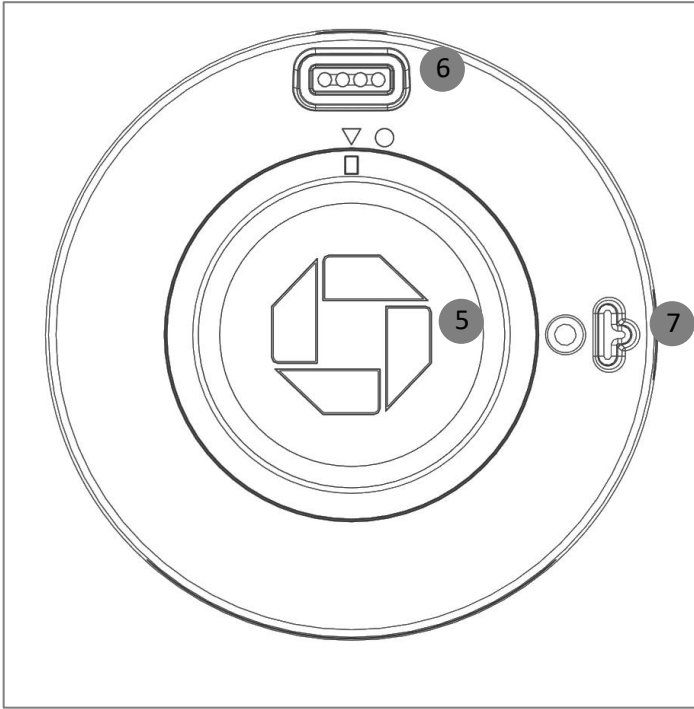


Fig. 2 Bottom of the reader

No.	Description
5	Battery Cover
6	Charging Connector
7	Secure Screw Nut



Bottom Cover Removal Warning

When removing the bottom cover for the purposes of changing battery, please remove the connector gently.



CAUTION:

RISK OF EXPLOSION IF BATTERY IS REPLACED BY AN INCORRECT TYPE. DISPOSE OF USED

BATTERIES ACCORDING TO THE INSTRUCTIONS.



Warning for internal battery pack

To reduce risk of fire or burns:

1. Do not attempt to open, disassemble, or service the battery pack.
2. Charging the battery periodically to ensure the charge/discharge characteristics.

2.3 CHASE READER_INSIDE VIEW

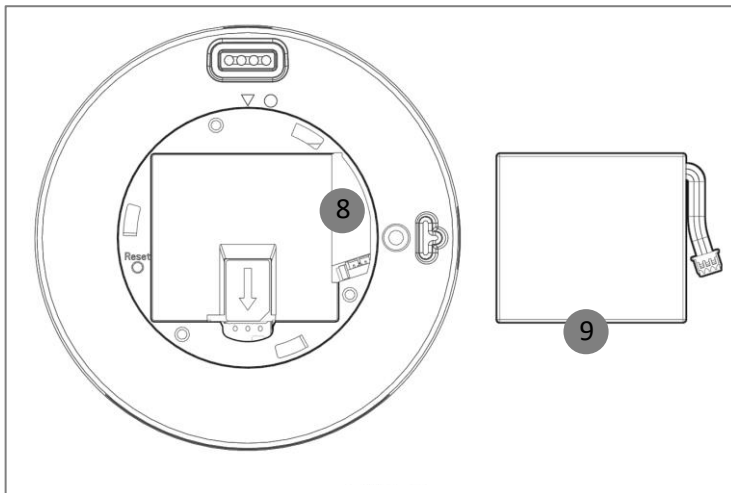


Fig. 3 Battery slot

No.	Description
8	Battery Connector
9	Battery Pack

2.4 READER CHARGING BASE_TOP VIEW



Fig. 4 Base

No.	Description
1	Magnetic Charging Connector
2	Secure Screw

2.5 READER CHARGING BASE_BOTTOM VIEW

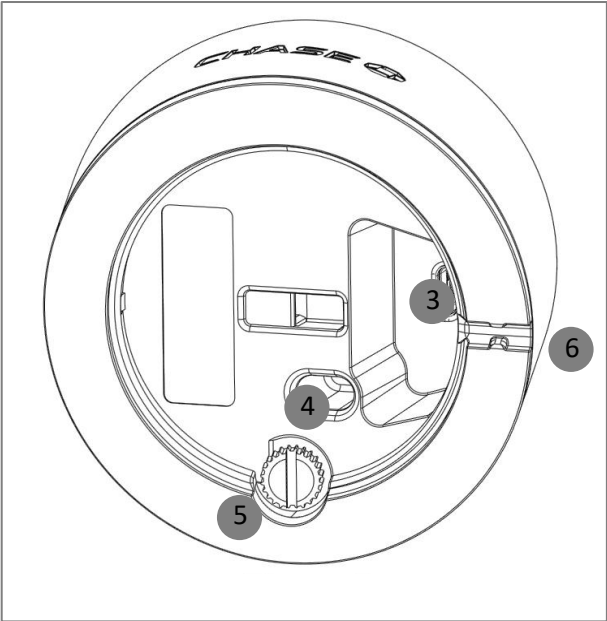


Fig. 5 Bottom of the Base

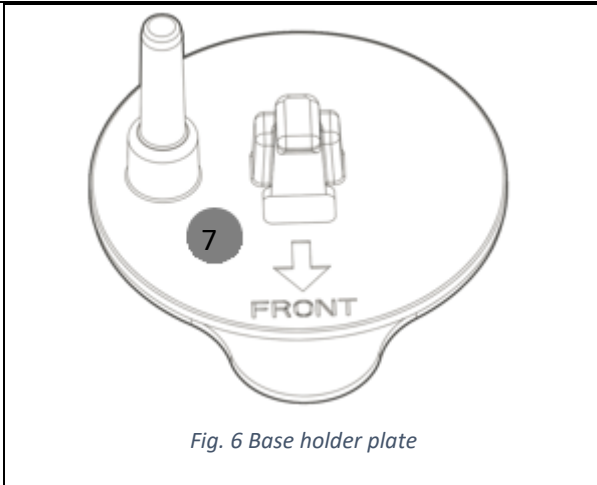


Fig. 6 Base holder plate

3	USB-C Power Connector
4	Base Holder Slot
5	Secure Screw
6	Power Cable Slot
7	Base Holder Plate

3. HOW TO POWER ON THE READER

Press the power key >3 seconds as shown on Figure 6 until hearing the beep sound and the display on. Press the power key >5 seconds to power off the device.



Fig. 7 Power button

4. HOW TO DO THE PAYMENT TRANSACTION

4.1 CONTACTLESS READER

Tap your card onto the EMV contactless logo shown on display to do the transaction.
The virtual LED on display shows the payment progress as shown below.



Fig. 8 Tap

4.2 SMART CARD READER

Insert your credit card with the ICC chip upward into the card slot and push it to the end as shown below.

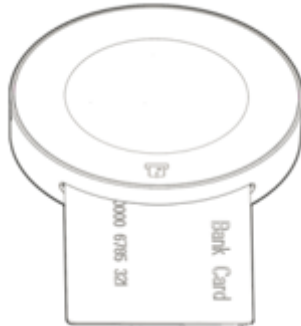


Fig. 9 Chip

5. HOW TO LOCK READER TO THE BASE

After placing the Reader onto the Base, turn over the full set to find the secure screw. Use one cent US dollar coin or screw drive to lock the device as shown below

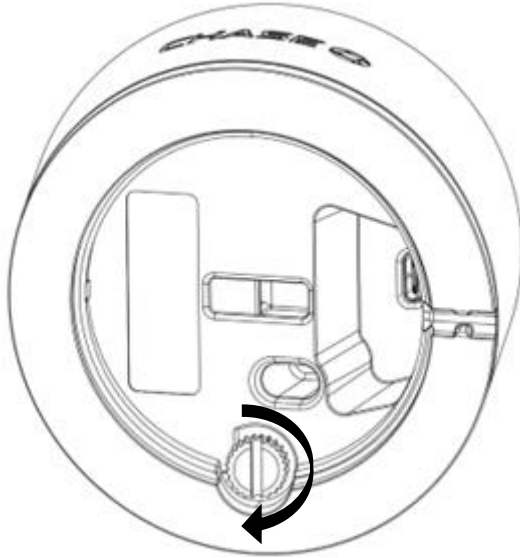


Fig. 10 Locking Base

6. HOW TO LOCK/REMOVE THE BASE TO THE HOLDER

Step#1: Peel off the adhesive tape overlay (shown as the grey area below) from the bottom of Base Holder Plate, and place the mounting kit on a clean table surface where it wanted to be installed.

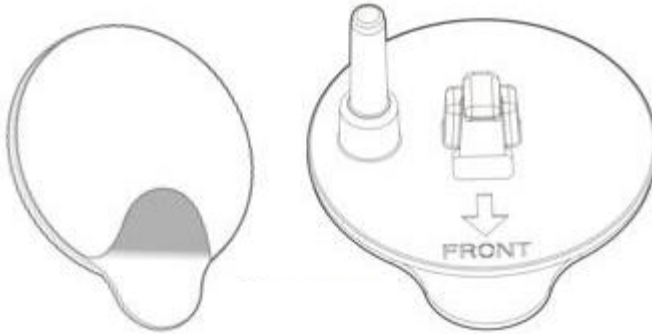


Fig. 11 Anchoring Base holder plate

Step#2: Align the Base holder and anchor positioning pin. Then put the Charging Base above the Base Holder Plate as shown below.

Note: The FRONT refers to the LED light guide of Charging Base for customer facing.

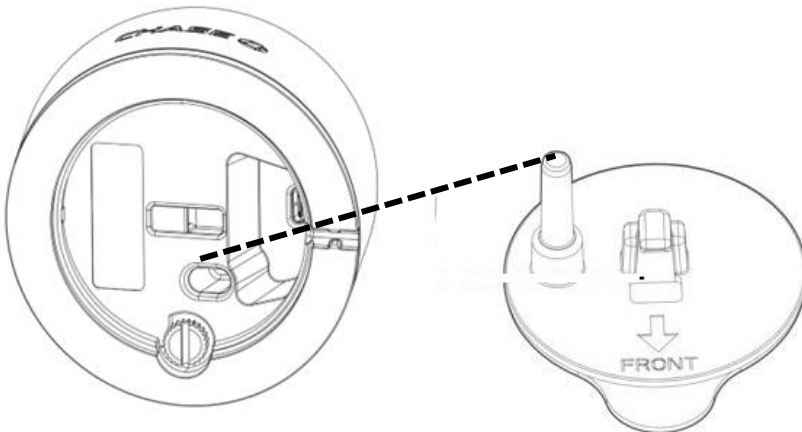


Fig. 12 Aligning Base holder to Base

Step#3: Push the Charging Base from the front side to fix it with the Base Holder. Pull it back to remove the Base from the desktop as shown below.

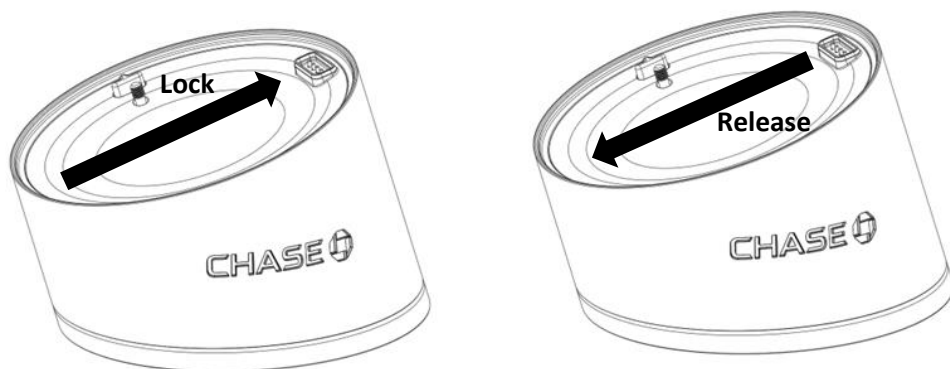


Fig. 13 Locking and unlocking Base

Federal Communication Commission Interference Statement

This device complies with Part 15 of the FCC Rules. Operation is subject to the following two conditions: (1) This device may not cause harmful interference, and (2) this device must accept any interference received, including interference that may cause undesired operation.

Note: This equipment has been tested and found to comply with the limits for a Class A digital device, pursuant to part 15 of the FCC Rules. These limits are designed to provide reasonable protection against harmful interference when the equipment is operated in a commercial environment. This equipment generates, uses, and can radiate radio frequency energy and, if not installed and used in accordance with the instruction manual, may cause harmful interference to radio communications. Operation of this equipment in a residential area is likely to cause harmful interference in which case the user will be required to correct the interference at his own expense.

FCC Caution: Any changes or modifications not expressly approved by the party responsible for compliance could void the user's authority to operate this equipment.

Radiation Exposure Statement:

The product complies with the FCC portable RF exposure limit set forth for an uncontrolled environment and are safe for intended operation as described in this manual. The further RF exposure reduction can be achieved if the product can be kept as far as possible from the user limb or set the device to lower output power if such function is available.

This transmitter must not be co-located or operating in conjunction with any other antenna or transmitter.